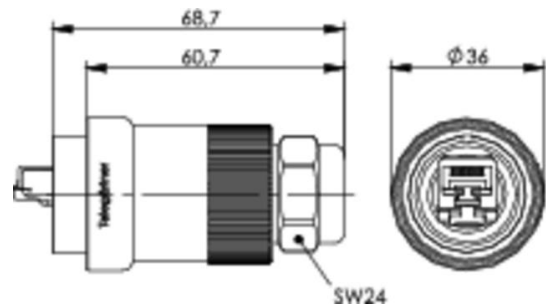


order number: J60026A0000

TOC Steckerset IP68 MFP8 T568B Cat.6<sub>A</sub>; brass type



REAL-TIME  
RE-EMBEDDED

Technical Attributes	
Description	TOC plug set IP68
Description	MFP8 T568B Cat.6 <sub>A</sub> ; AWG22-27
Remarks	brass, nickel-plated

## Product description

TOC stands for Telecommunications Outdoor Connectors and offers cabling professionals the reliability and flexibility they need for toughest applications. The handy, easy to install TOC connectors are used for data- and telecommunications in mobile radio, process-, utility- and traffic automation, or security applications but also in the harsh environment of machine and plant engineering. The TOC series is available in nickel-plated brass for RJ45 Cat.6<sub>A</sub>, FO LC Duplex and MPO/MTP® connectors. Compliance with the specifications of protection class IP68 and due to its excellent material properties, the TOC series can be installed even in harsh conditions within a temperature range from -40°C to 85°C. To lock, relief of strain and seal the connection, one turning movement is necessary and no further procedures are required. Customers benefit: a fast, error free and easy installation, high transmission reliability and resilience and more flexibility in the network design.

The TOC series RJ45 coming with the newly available field assembly RJ45 plug MFP8 Cat.6<sub>A</sub> and RJ45 keystone AMJ-S Module Cat.6<sub>A</sub> is available as a set. They can be attached to solid and stranded conductor cables with cable outer diameter max. 9.5 mm on site without the need for any special tools. For line extensions, the TOC Coupler IP68 is your first choice. It can be easily integrated with no negative effects on performance of the connection.

## Performance Characteristics

- suitable for 10 Gigabit Ethernet acc. to IEEE 802.3an
- suitable for PoE+ acc. to IEEE 802.3 at
- 360° shielding
- temperature range: -40° to +85°C
- protection class IP68 acc. to IEC 60529
- protection cap with protection class IP68
- RJ45 plug MFP8 Cat.6<sub>A</sub> acc. to IEC 60603-7-51 (500 MHz)
- RJ45 plug MFP8 Cat.6<sub>A</sub> UL listed (E244889)
- Cu-conductor: solid 0.41 - 0.64 mm (AWG24/1 – AWG22/1); stranded 0.46 - 0.76 mm (AWG27/7 – AWG22/7)
- insulation diameter: 1.0 - 1.6 mm
- cable outer diameter: 4 - 9.5 mm

Mechanical Characteristics	
Insertion force	≤ 30 N
Durability (mating cycles)	≥ 100
Material: housing	brass, 5 µm Ni plated
Material: contact housing	PC UL94 V0 crystal clear
Material: RJ45 insert	zinc diecast, nickel-plated
Material: Coupling nut	brass, 5 µm Ni plated
Material: O-ring	silicone red
Material: sealing insert	silicone transparent
Material: wire pair presorting	PC UL94 V0 white
Material: hook	PBT UL94 V0 black
Material: cable clamp	PBT UL94 V0 schwarz / black
Material: dust cap	PBT UL94 V0 black
Material: PCB	FR4 UL94 V0
Material: piercing contacts	Sn plated, min. 3-6 µm
Material: shield contact	brass; 2.5 µm Ni plated
Material: contacts	spring steel
Material: contact finish	min. 0,8 µm Au on 1,2 µm Ni
Material: protection cap IP68	brass, 5 µm Ni plated
Cu-Conductor diameter: solid	0.51 - 0.64 mm AWG 24/1 - AWG 22/1

Cu-Conductor diameter: stranded	0.46 - 0.76 mm AWG 27/7 - AWG 22/7
Insulation diameter	1.0 - 1.6 mm
Cable diameter	4.0 - 9.5 mm

Electrical Characteristics	
Current carrying capacity at 50°C	1 A
PoE+ acc to IEEE 802.3at	Adequate for Power over Ethernet+

Standards	
Connectors	IEC 60603-7-51
Generic cabling systems	ANSI/TIA/EIA-568-C.2; ISO/IEC 11801; DIN EN 50173-1
Degrees of protection provided by enclosures (IP code)	IEC 60529

Transmission Characteristics	
10 Gigabit Ethernet acc. to IEEE 802.3an	Adequate for 10 Gigabit Ethernet
Category 6 <sub>A</sub>	ISO/IEC 11801, DIN EN 50173-1
Class E <sub>A</sub>	ISO/IEC 11801, DIN EN 50173-1
Category 6A	ANSI/TIA/EIA-568-C.2